



EVEKTOR – AEROTECHNIK a.s.
Letecka 1384
686 04 Kunovice
Czech Republic

tel.: +420 572 537 111
fax: +420 572 537 900
e-mail: marketing@evektor.cz
<http://www.evektor.cz>

ILLUSTRATED PARTS CATALOGUE FOR



LIGHT SPORT AIRCRAFT





0. GENERAL

This Spare Parts Catalogue serves to allow order some selected spare parts from the aircraft manufacturer.

For parts order use Spare Parts Order form enclosed in Appendices of the Aircraft Maintenance and Inspection Procedures. State part description, order No., required quantity and other information required in this form.

If you require other parts then is mentioned in this catalogue, do not hesitate contact us.

Aircraft manufacturer:

EVEKTOR – AEROTECHNIK a.s.

Letecka 1384

686 04 Kunovice

CZECH REPUBLIC

tel.: +420 572 537 316

fax: +420 572 537 900

marketing@evektor.cz

www.evektor.cz

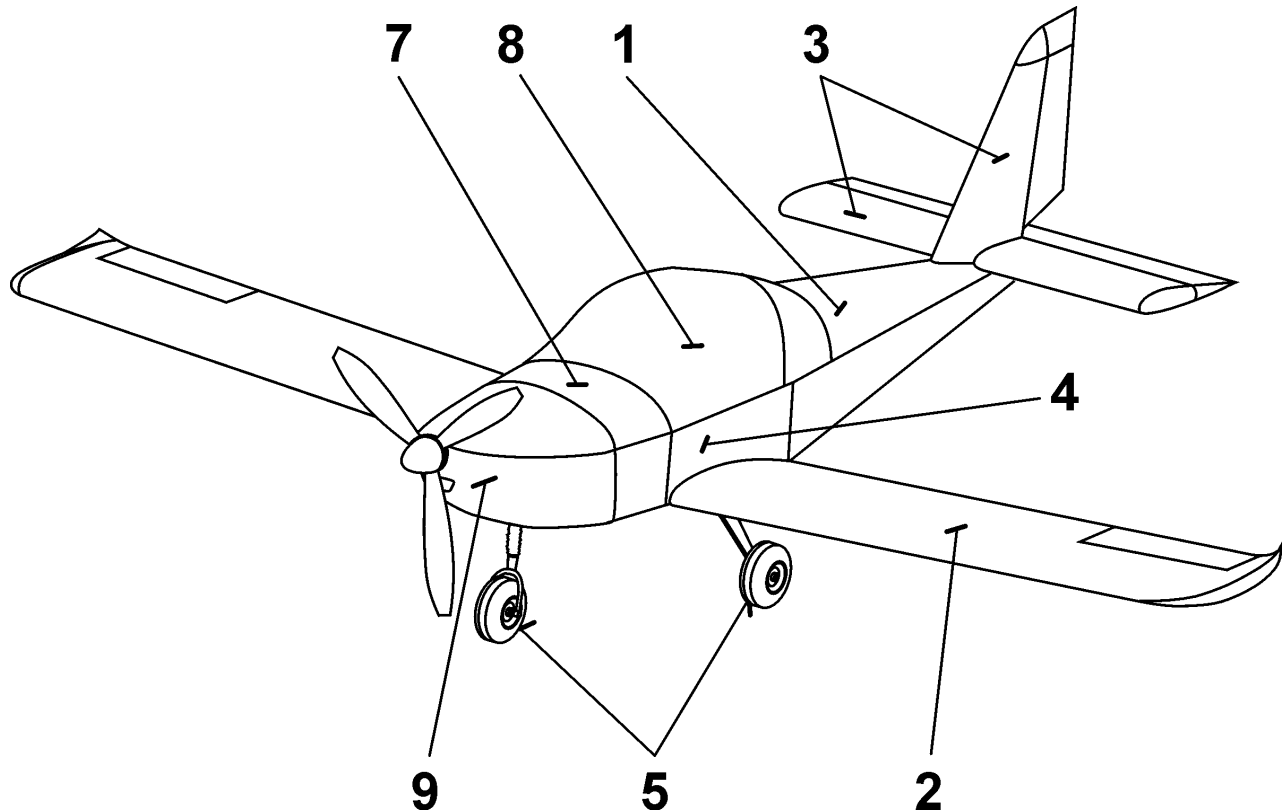
Document No.: S2005SPCUS	Date of Issue: Aug 15, 2005	Revision: -	0-1
------------------------------------	---------------------------------------	-----------------------	------------

0.1 Table of contents

0.	GENERAL	0-1
0.1	Table of contents	0-2
0.2	Aircraft assembly	0-3
0.3	Record of revision	0-4
0.4	List of Effective Pages.....	0-5
1.	FUSELAGE	1-1
1.1	Tilting canopy.....	1-1
1.2	Canopy lock.....	1-2
1.3	Rear part of fuselage	1-3
2.	WING	2-1
3.	TAIL UNITS	3-1
4.	CONTROLS.....	4-1
5.	LANDING GEAR	5-1
5.1	Nose landing gear.....	5-1
5.2	Main landing gear	5-3
5.3	Tyre / tube.....	5-3
5.4	Wheel pants	5-5
5.5	Brake system (four pumps system).....	5-6
5.5.1	Brake pump (E5 10-11 01/02).....	5-7
5.5.2	Double brake pump (E5 10-40 01/02).....	5-8
6.	POWER UNIT	6-1
6.1	Exhaust system.....	6-1
7.	INSTALLATIONS	7-1
7.1	Electrical system.....	7-1
8.	COCKPIT EQUIPMENT.....	8-1
9.	OPTIONAL EQUIPMENT	9-1
9.1	Ground equipment.....	9-1

0-2	Revision: -	Date of Issue: Aug 15, 2005	Document No.: S2005SPCUS
------------	-----------------------	---------------------------------------	------------------------------------

0.2 Aircraft assembly



- 1 – FUSELAGE**
- 2 – WING**
- 3 – TAIL UNITS**
- 4 – CONTROLS**
- 5 – LANDING GEAR**
- 6 – POWER UNIT**
- 7 – INSTALLATIONS**
- 8 – COCKPIT EQUIPMENT**
- 9 – OPTIONAL EQUIPMENT**

Document No.: S2005SPCUS	Date of Issue: Aug 15, 2005	Revision: -	0-3
------------------------------------	---------------------------------------	-----------------------	------------

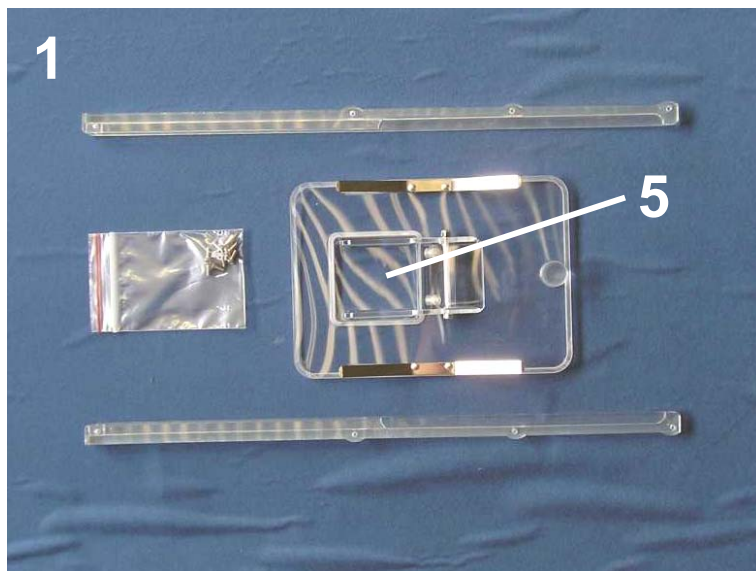
Intentionally left blank

0-6	Revision: -	Date of Issue: Aug 15, 2005	Document No.: S2005SPCUS
------------	-----------------------	---------------------------------------	------------------------------------

1. FUSELAGE

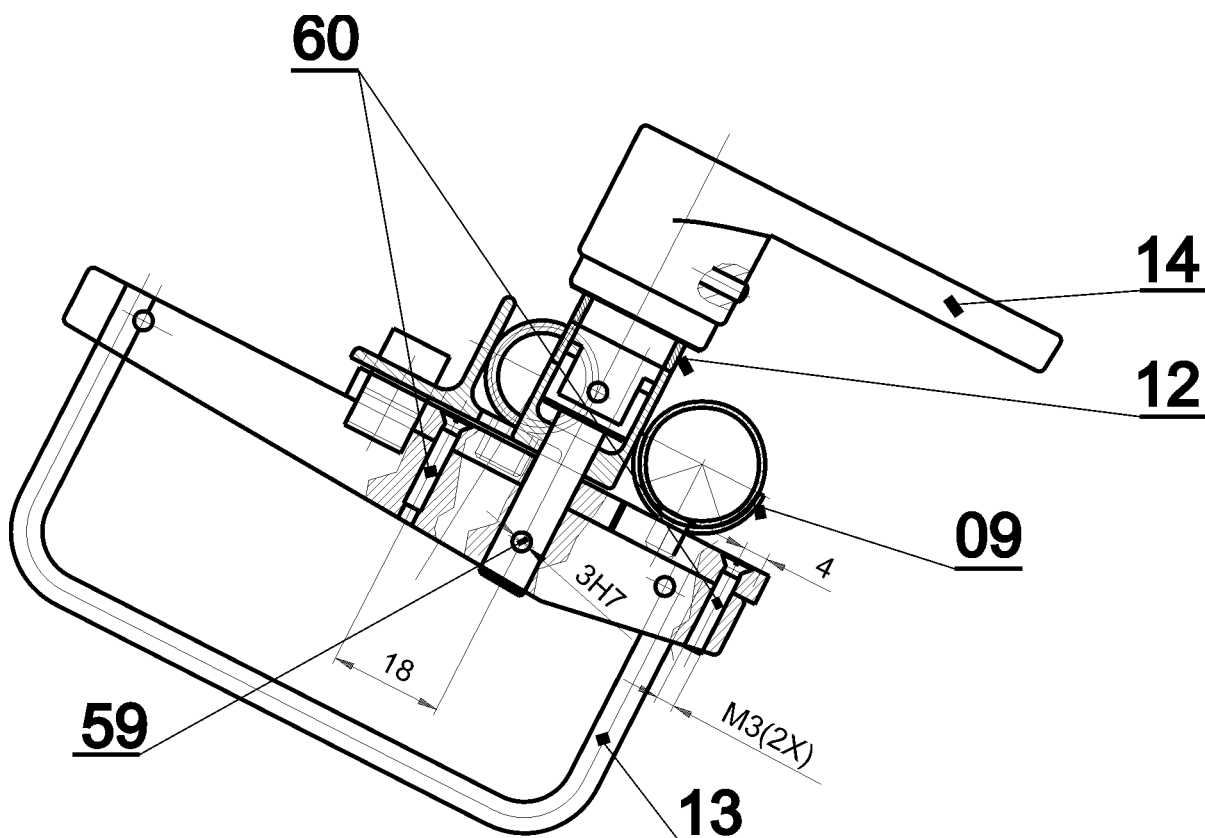
1.1 Tilting canopy

Pos.	Description	Standard	Qty.	Order num.	Note
1	CLEAR VENTING WINDOW LH		1	16246	
2	CLEAR VENTING WINDOW RH		1	16247	
3	SMOKED VENTING WINDOW LH		1	16944	
4	SMOKED VENTING WINDOW RH		1	16945	
5	FLAP FOR VENTING WINDOW LH		1	14320	
6	FLAP FOR VENTING WINDOW RH		1	14329	
9	GAS STRUT-BANSBACH		1	19202	



1.2 Canopy lock

Pos.	Description	Standard	Qty.	Order num.	Note
9	WELDED UPPER PIN		1	E1 93-07 01	
12	RING		1	E1 80-09 21	
13	ASSEMBLED HANDLE		1	E1 81-05 01	
14	CANOPY LOCK ASS.		1	E1 60-09 01	
59	PIN 3m6x18		1	14092	
60	SCREW M3x16		1	1872	



1-2	Revision: -	Date of Issue: Aug 15, 2005	Document No.: S2005PCUS
-----	----------------	--------------------------------	----------------------------

1.3 *Rear part of fuselage*

Pos.	Description	Standard	Qty.	Order num.	Note
1	TAIL SKID		1	E1 01-10 01	
2	BLIND RIVET 3.2x7.9	AVEX 1691 - 0410	30	6472	



Document No.: S2005SPCUS	Date of Issue: Aug 15, 2005	Revision: -	1-3
------------------------------------	---------------------------------------	-----------------------	------------

Intentionally left blank

1-4	Revision: -	Date of Issue: Aug 15, 2005	Document No.: S2005SPCUS
------------	-----------------------	---------------------------------------	------------------------------------

2. WING

Pos.	Description	Standard	Qty.	Order num.	Note
1	WING TIP LH		1	S2 01-05 01	
2	WING TIP RH		1	S2 01-05 02	
3	WING TIP FOR POSITION LIGHT LH		1	E2 50-57 01	
4	WING TIP FOR POSITION LIGHT LH		1	E2 50-57 02	
5	BLIND RIVET 3.2x7.9	AVEX 1691 - 0410	70	6472	for one wingtip



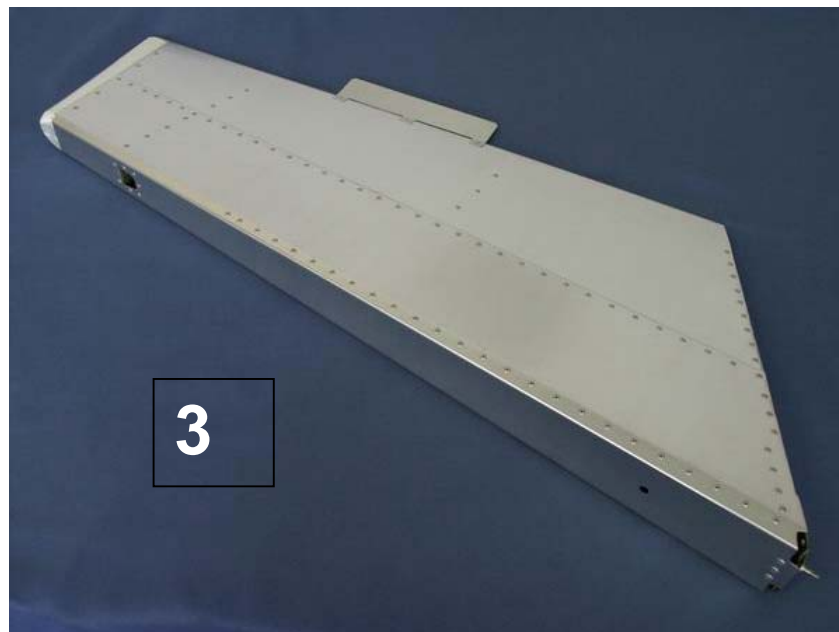
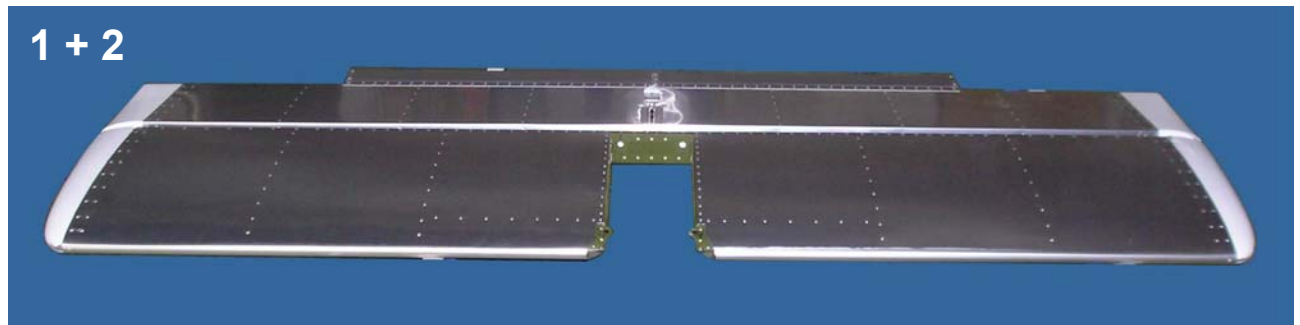
Document No.: S2005SPCUS	Date of Issue: Aug 15, 2005	Revision: -	2-1
------------------------------------	---------------------------------------	-----------------------	------------

Intentionally left blank

2-2	Revision: -	Date of Issue: Aug 15, 2005	Document No.: S2005SPCUS
------------	-----------------------	---------------------------------------	------------------------------------

3. TAIL UNITS

Pos.	Description	Standard	Qty.	Order num.	Note
1	STABILIZER			S3 00-01 01	assembled
2	ELEVATOR			S3 00-03 01	
3	RUDDER			E3 00-02 01	



Document No.: S2005SPCUS	Date of Issue: Aug 15, 2005	Revision: -	3-1
-----------------------------	--------------------------------	----------------	-----

Intentionally left blank

3-2	Revision: -	Date of Issue: Aug 15, 2005	Document No.: S2005SPCUS
------------	-----------------------	---------------------------------------	------------------------------------



4. CONTROLS

It will be amended later

Document No.: S2005SPCUS	Date of Issue: Aug 15, 2005	Revision: -	4-1
------------------------------------	---------------------------------------	-----------------------	------------

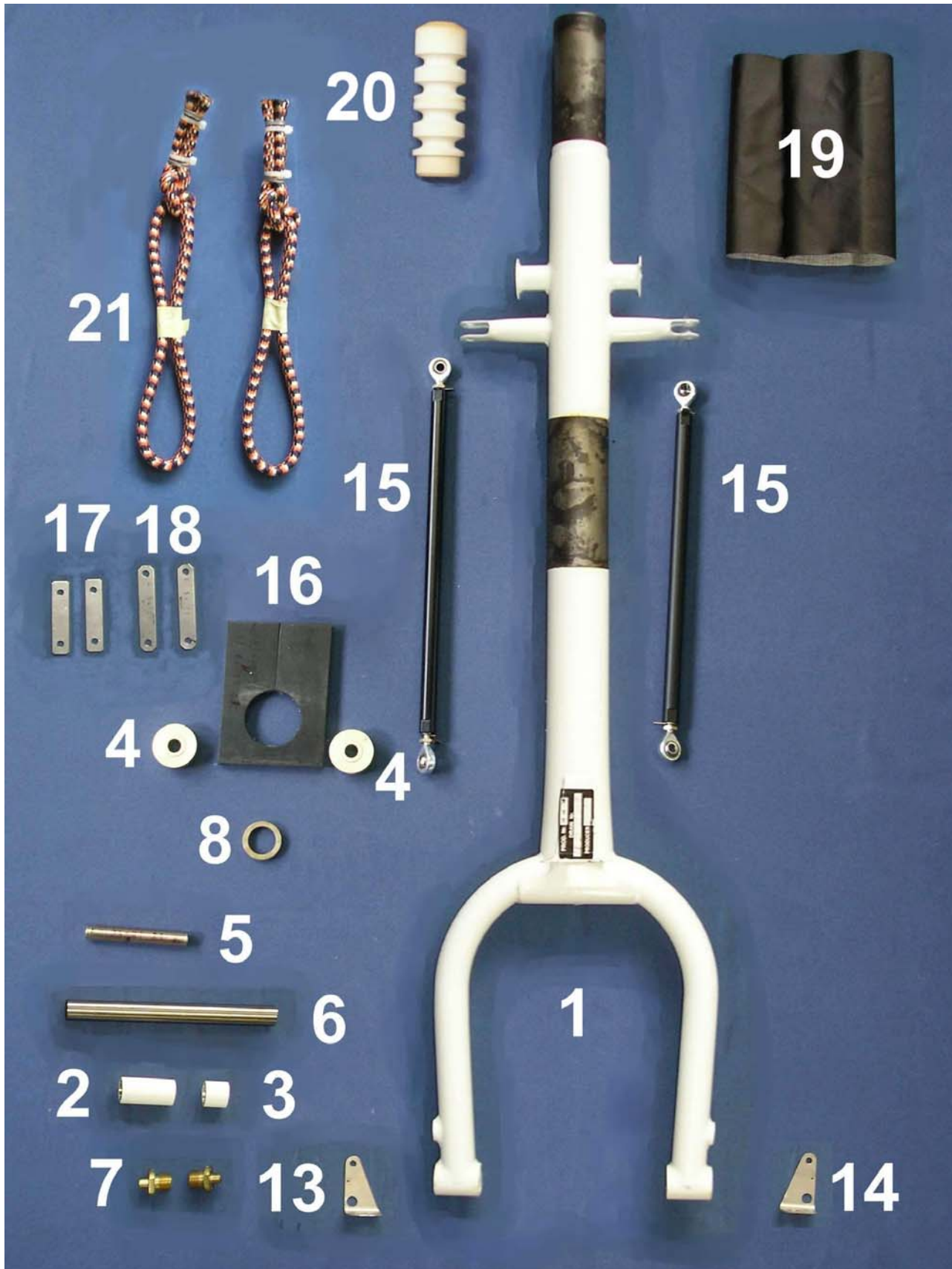
Intentionally left blank

4-2	Revision: -	Date of Issue: Aug 15, 2005	Document No.: S2005SPCUS
------------	-----------------------	---------------------------------------	------------------------------------

5. LANDING GEAR

5.1 Nose landing gear

Pos.	Description	Standard	Qty.	Order num.	Note
1	NOSE LANDING GEAR		1	S5 00-01 01	
2	SPACER		1	S5 00-09 21	
3	SMALL SPACER		1	S5 00-10 21	
4	STOP		2	S0 54-12 21	
5	ROD 12		1	E4 60-62 01	
6	WHEEL AXE		1	SG5 00-12 21	
7	BOLT		1	SG5 21-01 21	
8	WASHER		1	765478	
9	NOSE WHEEL - ASSY		1	E5 51-51 01	
11	TUBE		1	E0 54-07 21	
12	TUBE		1	E0 54-01 21	
13	EYE L		1	S5 01-11 21	
14	EYE R		1	S5 01-11 22	
15	ROD 12		1	E4 60-62 02	
16	RUBBER WASHER		1	S0 54-13 21	
17	STRIP		2	S0 54-20 21	
18	STRIP		2	S0 54-21 21	
19	NOSE LANDING GEAR SLEEVE		1	S0 54-22 01	
20	BACKSTOP MODIFIED		1	E0 54-11 21	
21	RUBBER ROPE		1	11994	
22	HOSE CLAMP		1	3494	
23	SCREW M6x12	BN 500	2	13528	
24	SCREW 6x23	ONL 3120.14	2	28334	
28	NUT M6	CSN 02 1413.24	4	3069	
29	CABLE TIE	PLT1,5I-C	4	13393	
30	TIGHTENING STRIP	580984.HN 000	2	9754	
33	WASHER 6	CSN 31 3282.11	6	3149	
34	WASHER 6.4	CSN 02 1702.14	4	3115	
37	COTTER PIN 1.6x14	CSN 02 1781.05	4	10894	
39	COTTER PIN 2.5x25	CSN 02 1781.05	2	12291	
40	RING LOCK 10	CSN 02 2930	2	3750	
41	WIRE KR 0.8	CSN 42 6406	1	1991	
42	MOLYKA-PASTE			13432	
900	LOCKTITE GLUE 243			6419	



5-2	Revision: -	Date of Issue: Aug 15, 2005	Document No.: S2005PCUS
-----	----------------	--------------------------------	----------------------------

5.2 Main landing gear

Pos.	Description	Standard	Qty.	Order num.	Note
1	LEFT WHEEL WITH BRAKE		1	E5 51-50 01	
2	RIGHT WHEEL WITH BRAKE		1	E5 51-50 02	
3	NUT		2	E5 20-10 21	
4	WASHER		2	765478	
5	LEG LEFT - ASSEMBLY		1	S5 75-80 01	
6	LEG RIGHT - ASSEMBLY		1	S5 75-80 02	
24	YOKE		2	SG1 02-93 01	
25	SHIM		2	SG1 02-54 21	
26	YOKE		2	SG1 02-90 21	
27	BOLT		2	SG1 02-89 21	
31	COTTER PIN 4x40	CSN 02 1781.04	2	3204	
33	NUT M8	CSN 02 1413.44	4	3071	
34	WASHER 8.4	CSN 02 1702.15	4	10478	
35	COTTER PIN 2x20	CSN 02 1781.05	4	3702	
40	BOLT M8x60	CSN 02 1143.55	2	10473	

5.3 Tyre / tube

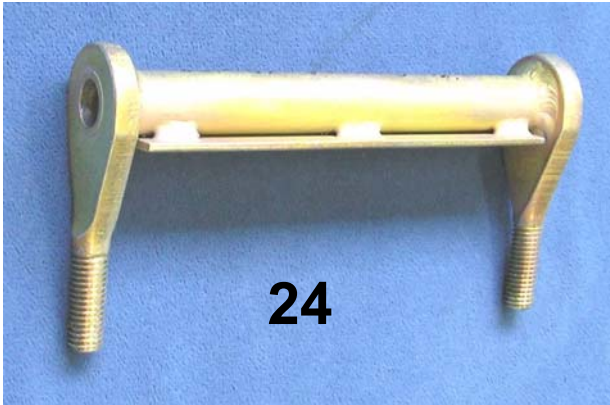
Pos.	Název/Description	Normal/Standard	Mn./Qty.	Obj. číslo/Order num.	Pozn./Note
	CHENG SHIN TYRE13x5,00-6		1	12859	front wheel
	CHENG SHIN TUBE13x5,00-6		1	12862	front wheel
	CHENG SHIN TYRE15x6,00-6		1	12860	main wheel
	CHENG SHIN TUBE15x6,00-6		1	12861	main wheel



4



5



24



25



26



27

5-4	Revision: -	Date of Issue: Aug 15, 2005	Document No.: S2005PCUS
-----	----------------	--------------------------------	----------------------------

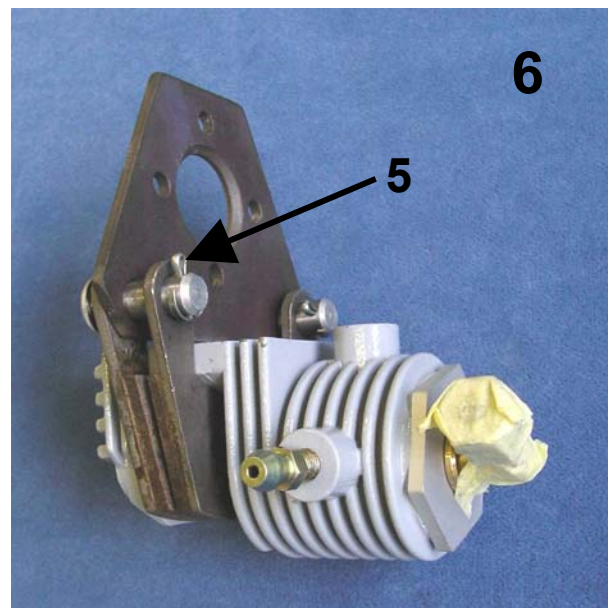
5.4 Wheel pants

Pos.	Description	Standard	Qty.	Order num.	Note
1	NOSE WHEEL COVER		1	S5 01-35 01	
2	MAIN WHEEL COVER – LH		1	E5 01-21 01	
3	MAIN WHEEL COVER - RH		1	E5 01-21 02	



5.5 Brake system (four pumps system)

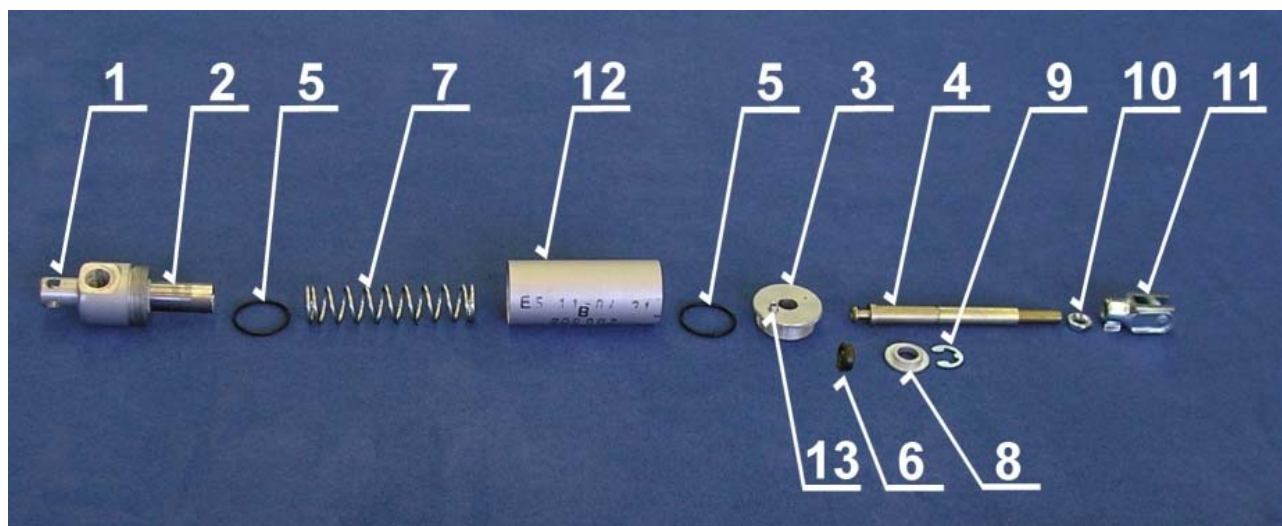
Pos.	Description	Standard	Qty.	Order num.	Note
1	COMPLETED DOUBLE PUMP LH		1	E5 10-40 01	
2	COMPLETED DOUBLE PUMP RH		1	E5 10-40 02	
3	BRAKE PUMP		2	E5 10-11 01	
4	BRAKE PAD		2	765195	for one wheel
5	COTTER PIN 2x14	CSN 02 1781.04	2	3188	for one wheel
6	BRAKE STIRRUP LH		1	765222	
7	BRAKE STIRRUP RH		1	765223	



5-6	Revision: -	Date of Issue: Aug 15, 2005	Document No.: S2005PCUS
------------	-----------------------	---------------------------------------	-----------------------------------

5.5.1 Brake pump (E5 10-11 01/02)

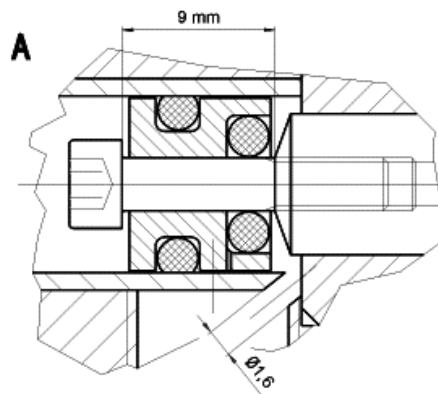
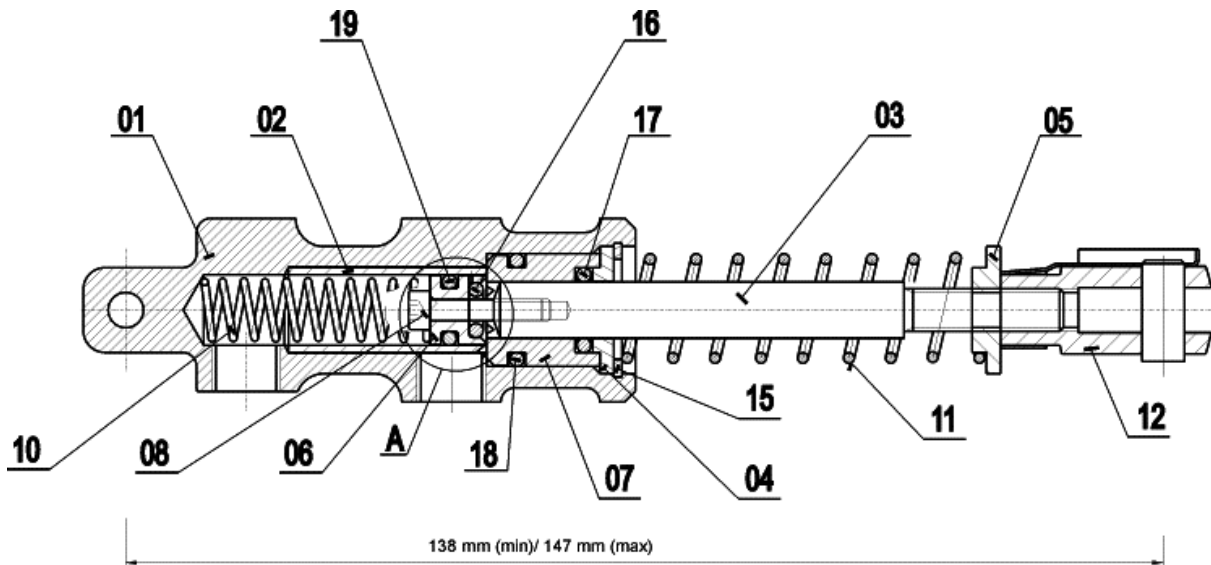
Pos.	Název/Description	Norma/Standard	Qty.	Obj. číslo/Order num.	Note
1	HOLDER		1	E5 11-01 21	glued
2	ACTUATOR		1	E5 11-03 21	
3	PLUG		1	E5 11-05 21	
4	PISTON		1	E5 11-06 21	
5	RING 20x1.5		2	17159	
6	CUFF U 11x3x4.5	RUBENA 33769	1	13070	
7	SPRING		1	E5 11-02 21	
8	SHIM		1	E5 11-07 21	
9	RING 7	CSN 02 2929.15	1	3749	
10	NUT M6	CSN 02 1403.25	1	12474	
11	FORK WITH PIN 6x12	DIN 71 752 BN484, BN 482	1	8771	
12	COVER		1	E5 11-04 21	
13	SCREW M4x5	DIN 916-8.8-A2F	1	7750	



Document No.: S2005SPCUS	Date of Issue: Aug 15, 2005	Revision: -	5-7
------------------------------------	---------------------------------------	-----------------------	------------

5.5.2 Double brake pump (E5 10-40 01/02)

Pos.	Název/Description	Norma/Standard	Qty.	Obj. číslo/Order num.	Note
1	BRAKE PUMP HOUSING			E5 10-21 21	
2	TUBE			E5 10-22 21	
3	PISTON			E5 10-23 21	
4	CYLINDER PLUG			E5 10-24 21	
5	SECURING NUT			E5 10-25 21	
6	PISTON			E5 10-26 21	
7	BRAKE CYLINDR FILLING			E5 10-27 21	
8	BOLT			E5 10-32 21	
10	PRUŽINA			E5 10-30 21	
11	PRUŽINA			E5 10-31 21	
12	FORK WITH PIN 6x12			8771	
15	RING LOCK 18			16190	
16	RING 4x2			16324	
17	RING 7.3x2.4			16326	
18	RING 11.3x2.4			16327	
19	RING 5.6x2.4			16325	



5-8	Revision: -	Date of Issue: Aug 15, 2005	Document No.: S2005PCUS
------------	----------------	--------------------------------	----------------------------

6. POWER UNIT

6.1 Exhaust system

Pos.	Název/Description	Standard	/Qty.	Order num.	Note
1	VÝFUK SVAŘENEC EXHAUST MUFFLER		1	766521	
2	VÝFUK PŘEDNÍ L LH FRONT EXHAUST - GAS TUBE		1	E6 10-16 01	
3	VÝFUK ZADNÍ L LH REAR EXHAUST- GAS TUBE		1	E6 10-17 01	
4	VÝFUK PŘEDNÍ P RH FRONT EXHAUST - GAS TUBE		1	E6 10-16 02	
5	VÝFUK ZADNÍ P RH REAR EXHAUST - GAS TUBE		1	E6 10-17 02	
7	SVORKA M08 CLAMP M08		4	766033	

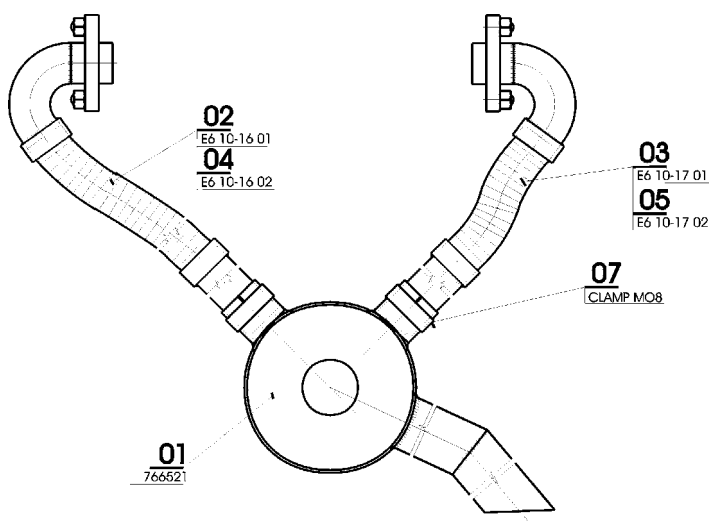


Figure: Exhaust system

- 01 – Exhaust muffler
- 02 – LH front exhaust
- 03 – LH rear exhaust
- 04 – RH front exhaust
- 05 – RH rear exhaust
- 07 – Clamp – 4 pcs

Document No.: S2005SPCUS	Date of Issue: Aug 15, 2005	Revision: -	6-1
-----------------------------	--------------------------------	----------------	-----



6-2	Revision: -	Date of Issue: Aug 15, 2005	Document No.: S2005PCUS
-----	----------------	--------------------------------	----------------------------

7. INSTALLATIONS

7.1 Electrical system

Pos.	Název/Description	Norma/Standard	Mn./Qty.	Obj. číslo/Order num.	Pozn./Note
1	CIRCUIT BREAKER 1A		1	11476	
2	CIRCUIT BREAKER 2A		1	11477	
3	CIRCUIT BREAKER 3A		1	11478	
4	CIRCUIT BREAKER 7.5A		1	11480	
5	CIRCUIT BREAKER 10A		1	12340	
6	CIRCUIT BREAKER 30A		1	13378	
7	MASTER SWITCH	2PDT	1	13504	
8	SWITCH	1PDT	1	13503	
9	RELAY	12V/30A	1	12731	
10	LAMP FOR WHELEN A715	Q4509 – PAR 36	1	12696	
11	LAMP FOR FRONT REFLECTORS	50W	1	12656	

Note: Current value is imprinted on the circuit breaker button.

2



6



Circuit breakers - positions from 1 to 5 are identical in the dimensions.

7



8



9



Intentionally left blank

7-2	Revision: -	Date of Issue: Aug 15, 2005	Document No.: S2005SPCUS
------------	-----------------------	---------------------------------------	------------------------------------

8. COCKPIT EQUIPMENT

Pos.	Description	Standard	Qty.	Order num.	Note
1	BUCKET SEAT-SQUAB LH		1	E8 50-52 01	
2	BUCKET SEAT-SQUAB RH		1	E8 50-52 02	
3	BUCKET SEAT-BOLSTER LH		1	E8 50-53 01	
4	BUCKET SEAT-BOLSTER RH		1	E8 50-53 02	
6	CONTROL STICK SLEEVE		1	E8 01-13 01	
7	CARPET		1	E8 01-04 21	
8	FOUR POINT SAFETY HARNESS		1	E8 01-10 01	
9	BUCKET SEAT-SUPPORTING REST		1	E8 50-51 01	
10	BAFFLE ASSEMBLY LH		1	E8 01-07 01	
11	BAFFLE ASSEMBLY RH		1	E8 01-07 02	
12	CAPPING STRIP - ASSEMBLY		1	761375	
14	FRONT CARPET		1	E8 50-04 21	
15	BAFFLE ASSEMBLY LH		1	S8 01-07 01	
16	BAFFLE ASSEMBLY RH		1	S8 01-07 02	



Document No.: S2005SPCUS	Date of Issue: Aug 15, 2005	Revision: -	8-1
-----------------------------	--------------------------------	----------------	-----



12

will be amended later



15

will be amended later

8-2	Revision: -	Date of Issue: Aug 15, 2005	Document No.: S2005PCUS
-----	----------------	--------------------------------	----------------------------

9. OPTIONAL EQUIPMENT

9.1 Ground equipment

Pos.	Název/Description	Norma/Standard	Mn./Qty.	Obj. číslo/Order num.	Pozn./Note
1	CANOPY COVER- WIDE		1	E9 02-20 01	
2	SLE EVE FOR EQUIPMENT		2	8722	
3	FIXING STRAP - ASSEMBLY		3	2608	
4	GROUND ANCHOR		3	10273	
5	FOLDING TRIG		2	9659	
6	BIG BAG		1	3998	
7	DRAWBAR		1	E9 00-06 01	
8	SPARE CONNECTING PARTS		SET	S0 00-15 01S	see next page
9	SUN SHADE		2	18975	
10	VALVE EXTENSION		1	7727	for front tire
11	PITOT TUBE COVER		1	S9 01-10 01	
12	SET OF METRIC WRENCHES AND ALLEN WRENCHES		1 set	43073	

1



2



3



4



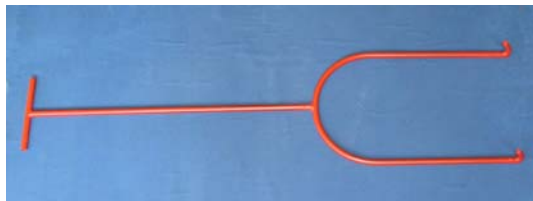
5



6



7



8



9



10



11



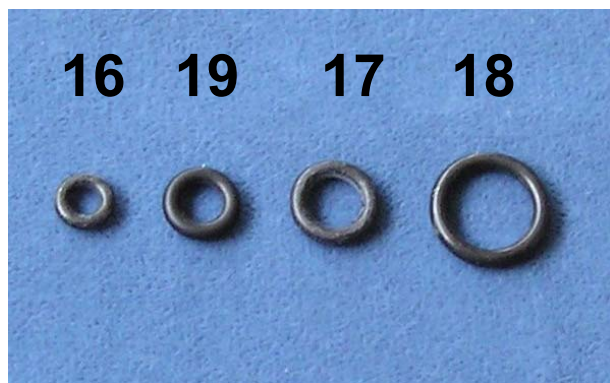
12



9-2	Revision: -	Date of Issue: Aug 15, 2005	Document No.: S2005PCUS
-----	----------------	--------------------------------	----------------------------

Spare connecting parts S0 00-15 01S

Pos.	Description	Qty.	Order num.	Use
5	BOLT M4X12 MM	10	1876	engine cowling, wing to fuselage fairing
10	BOLT (FLUSH HEAD) M4X12 MM	10	12996	removable upper cover in front of cockpit
16	RING 4X2 MM	1	16324	double hydraulic brake pump
17	RING 7.3X2.4 MM	1	16326	double hydraulic brake pump
18	RING 11.3X2.4 MM	1	16327	double hydraulic brake pump
19	RING 5.6X2.4 MM	1	16325	double hydraulic brake pump
20	BOLT M4X16 MM	15	12997	to fix main wheel pants
21	CASTLE NUT M6 MM	4	3070	flight control, rudder attachment
22	CASTLE NUT M8 MM	2	3071	to fix main landing gear leg
23	SELF LOCKING NUT M4 MM	4	3088	flight control
24	SELF LOCKING NUT M5 MM	4	7494	flight control
25	SELF LOCKING NUT M6 MM	6	3089	flight control
26	WASHER 4.3 MM	4	6812	under appropriate nut
27	WASHER 5.3 MM	2	8527	under appropriate nut
28	WASHER 6.4 MM	6	6813	under appropriate nut
29	WASHER 8.4 MM	4	10478	under appropriate nut
30	COTTER PIN 1X12 MM	2	3183	to lock rudder nut
31	COTTER PIN 1.6X20 MM	8	8531	to lock flight control elements
32	COTTER PIN 2X20 MM	6	37002	to lock stabilizer and main landing gear leg attachment
33	COTTER PIN 2.5X25 MM	2	12291	to lock front landing gear leg
38	COTTER PIN 4X40 MM	3	3204	to lock wheel nuts
59	TAB WASHER 6.2 MM	4	8528	to lock nuts of the flight control elements
64	BOLT M8X12 MM	3	17034	to fix brake disc
74	TAB WASHER 8.2 MM	3	6654	to lock brake disc bolts
79	SAFETY PIN 1.5 MM	3	3952	to lock wing suspension pins
80	RING CUP 11X3X4.5 MM	2	13070	hydraulic brake pump
84	RING 20X1.5 MM	2	17159	hydraulic brake pump



Document No.: S2005PCUS	Date of Issue: Aug 15, 2005	Revision: -	9-3
-----------------------------------	---------------------------------------	-----------------------	------------

Intentionally left blank

9-4	Revision: -	Date of Issue: Aug 15, 2005	Document No.: S2005SPCUS
------------	-----------------------	---------------------------------------	------------------------------------